



DATA SHEET

Ultra-micro Current Transformer

PN: CMCT134

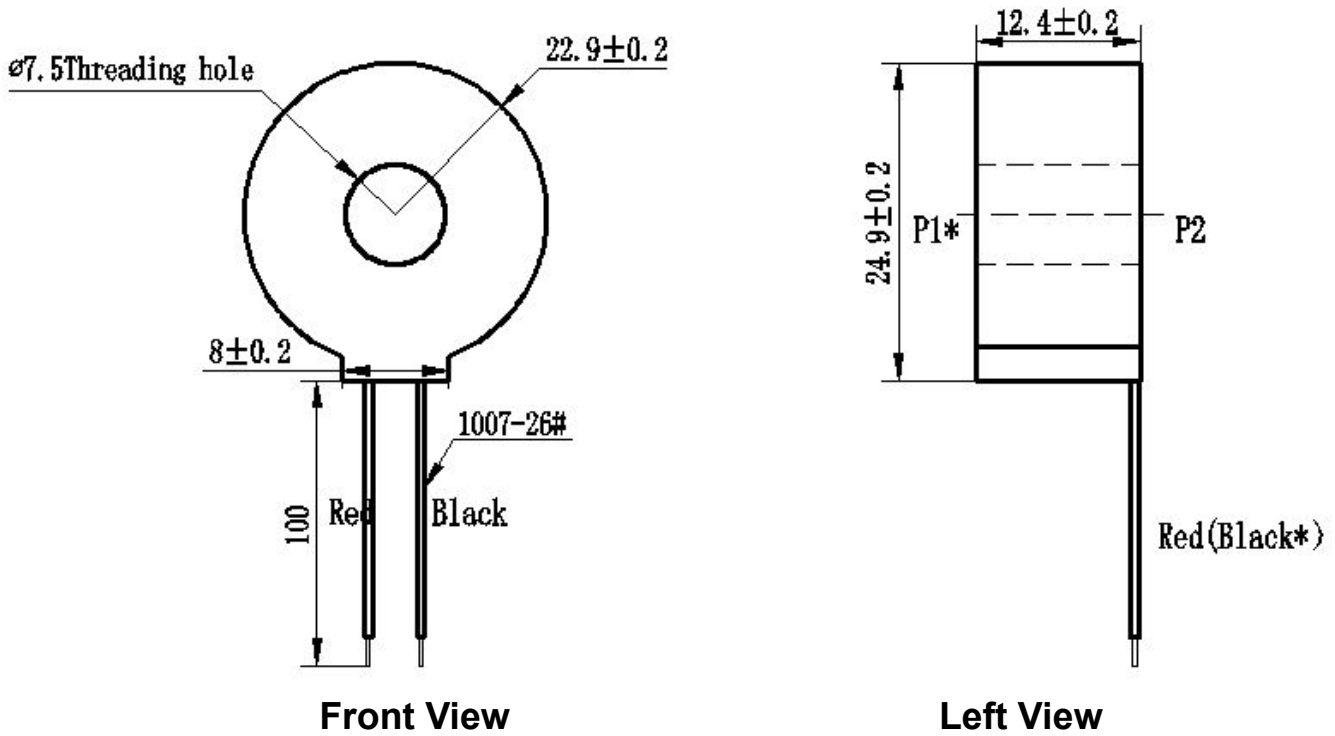
IPN=5A

Feature & Applications

- Small size
- High accuracy
- Good consistency.
- Used for current and power measurement



Structural Parameter :



The Main Technical Parameters :

Model	CMCT134
Rated input current	5A
Rated output current	2.5mA
Turns ratio	2000:1
Phase angle error	$\leq 30'$ (input 5A, sampling resistor 50Ω)
Linear range	0~40A (sampling resistor 50Ω)
Linearity	$\leq 0.2\%$ (5% dot ~ 120% dot)



Cheemi Technology Co., Ltd

Permissible error	-0.2%≤ f ≤+0.2% (Input 5A, sampling resistor 50Ω)
Isolation voltage	4500V
Application	Current and power measurement
Encapsulation	Epoxy
Installation	Output leads installation (conventional lead length shown in drawing)
Operating temperature	-40°C~+85°C

Direction For Use:

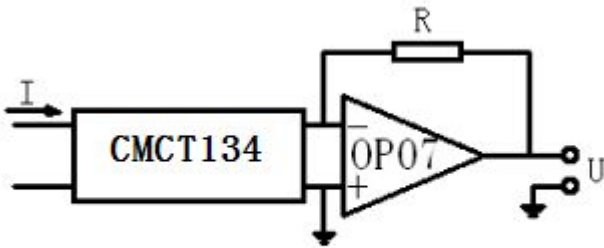
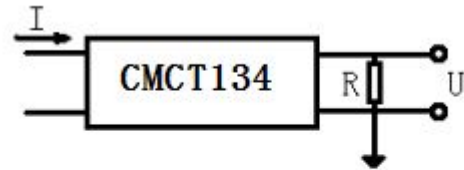


Figure I



$$U = \frac{I}{2000} \cdot R$$

I: input current
R: sampling resistor
U: sampling voltage

Figure II

1. CMCT134 used for measurement. Typical usage is shown in Figure 1 and Figure 2. R is a sampling resistor.

